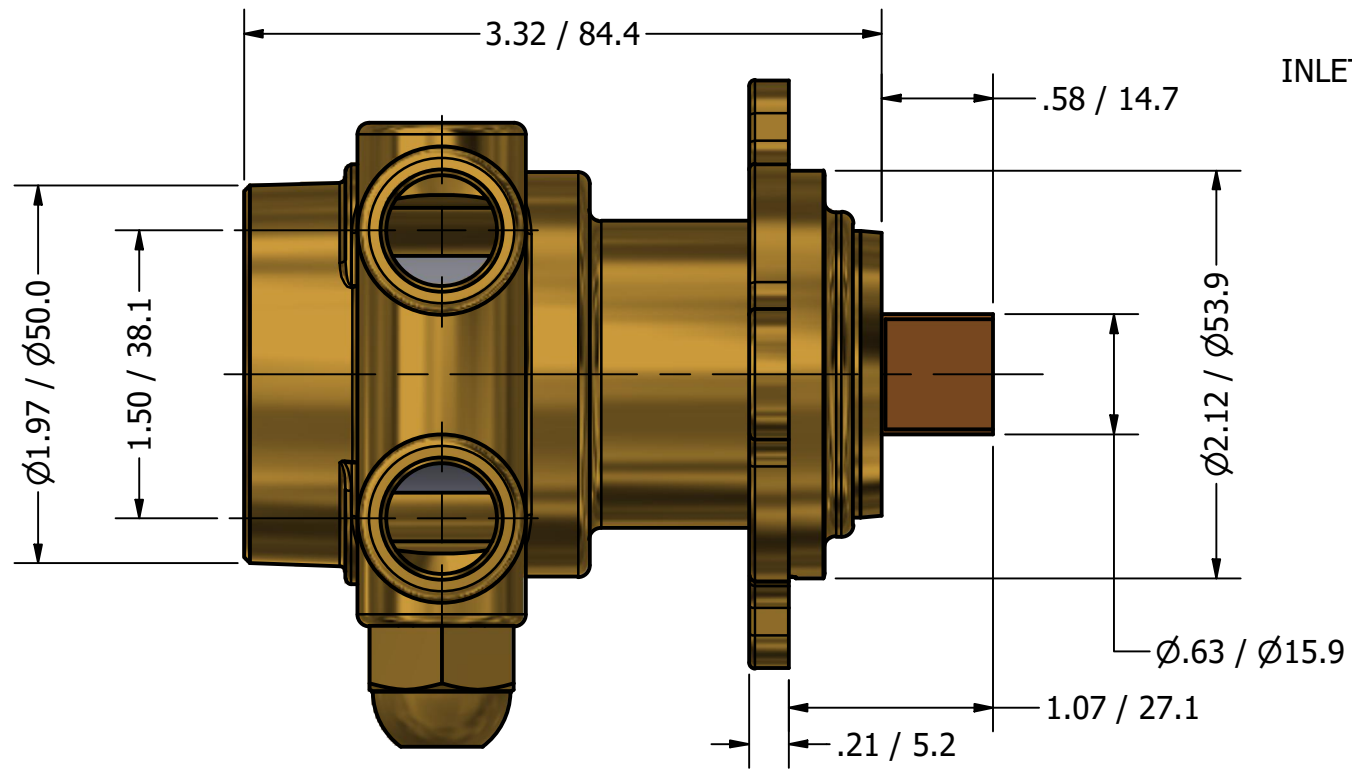
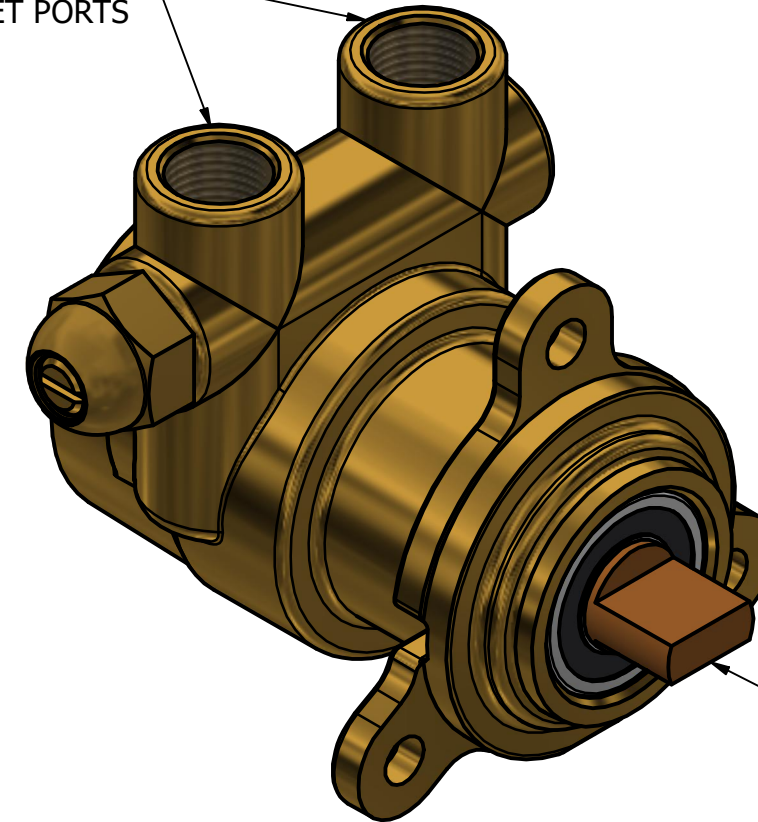


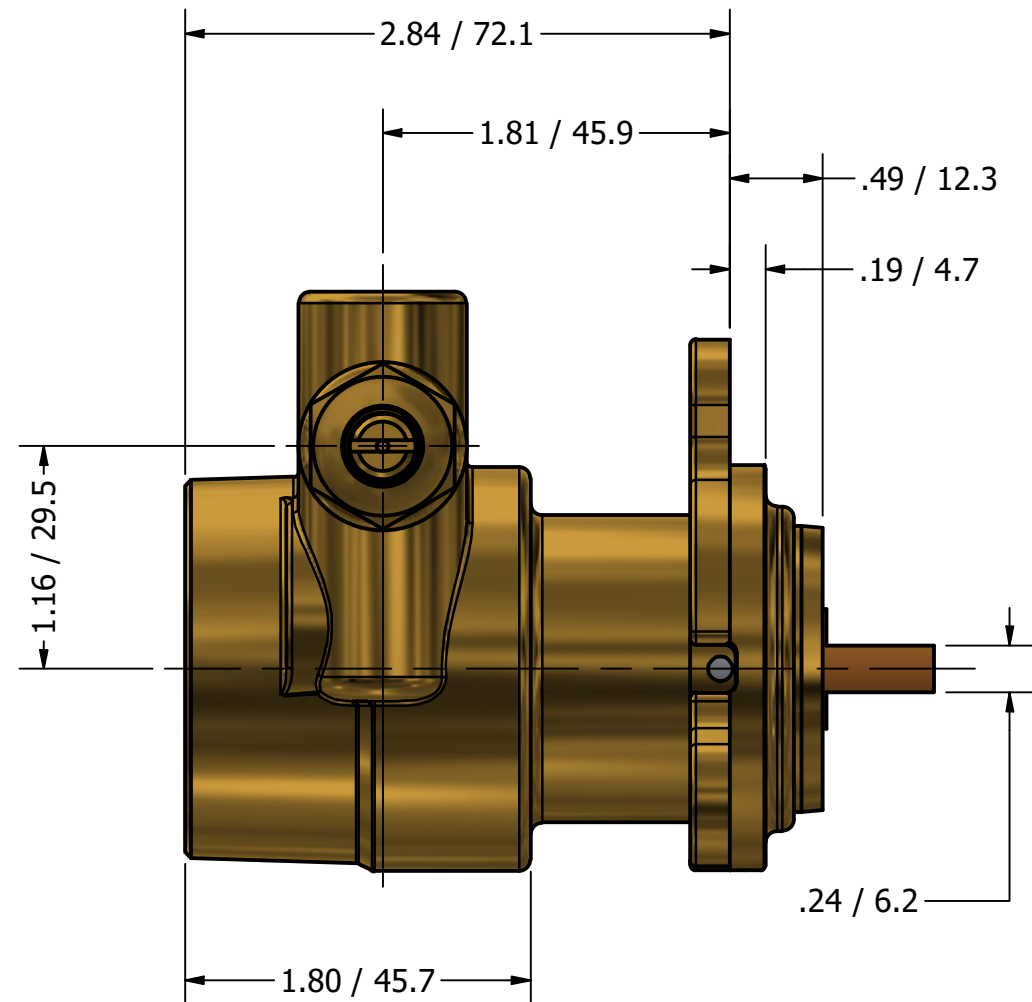
**SERIES 2  
ROTARY VANE PUMP  
BOLT-ON STYLE  
"L" MOUNTING  
3/8" NPT PORTS  
WITH RELIEF VALVE**



3/8" NPT  
INLET/OUTLET PORTS



3018-1 BRONZE COUPLING



$\phi 2.75 / \phi 69.9$  B.C.

$\phi .28 / \phi 7.1$   
3 EQUALLY  
SPACED HOLES

