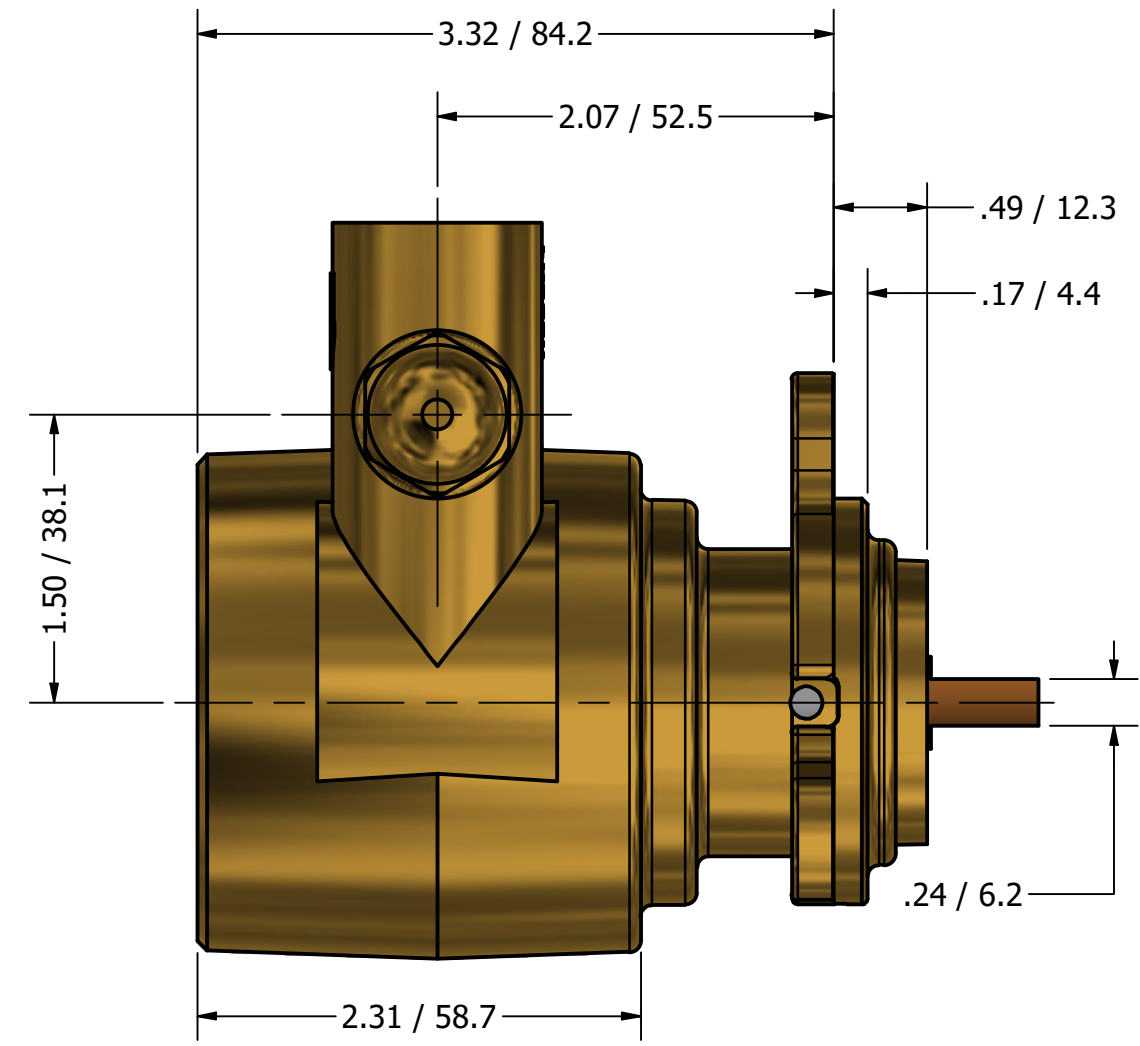
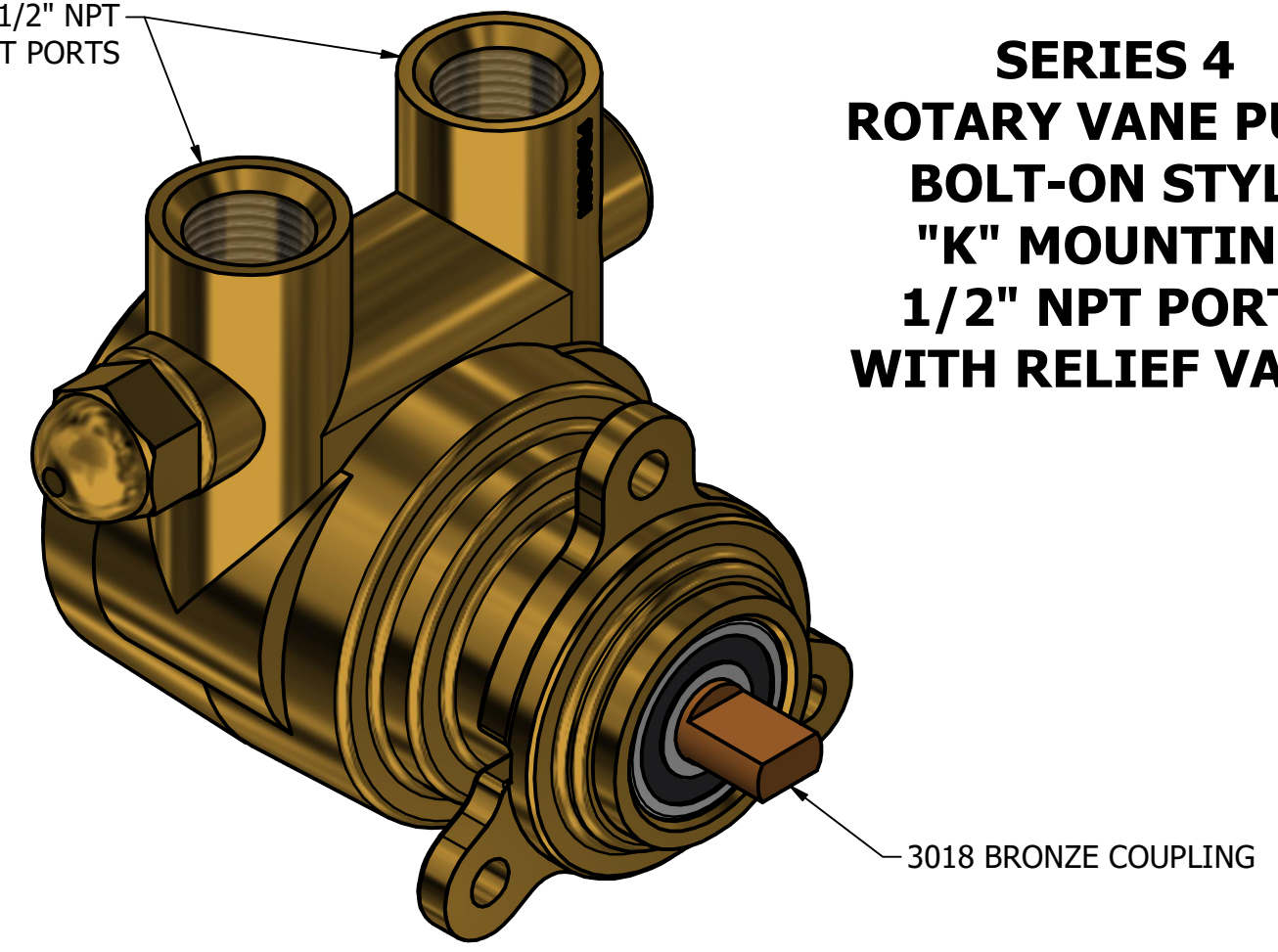


1/2" NPT
INLET/OUTLET PORTS

**SERIES 4
ROTARY VANE PUMP
BOLT-ON STYLE
"K" MOUNTING
1/2" NPT PORTS
WITH RELIEF VALVE**



$\varnothing 2.75 / \varnothing 69.9$ B.C.

$\varnothing .28 / \varnothing 7.1$
3 EQUALLY
SPACED HOLES

