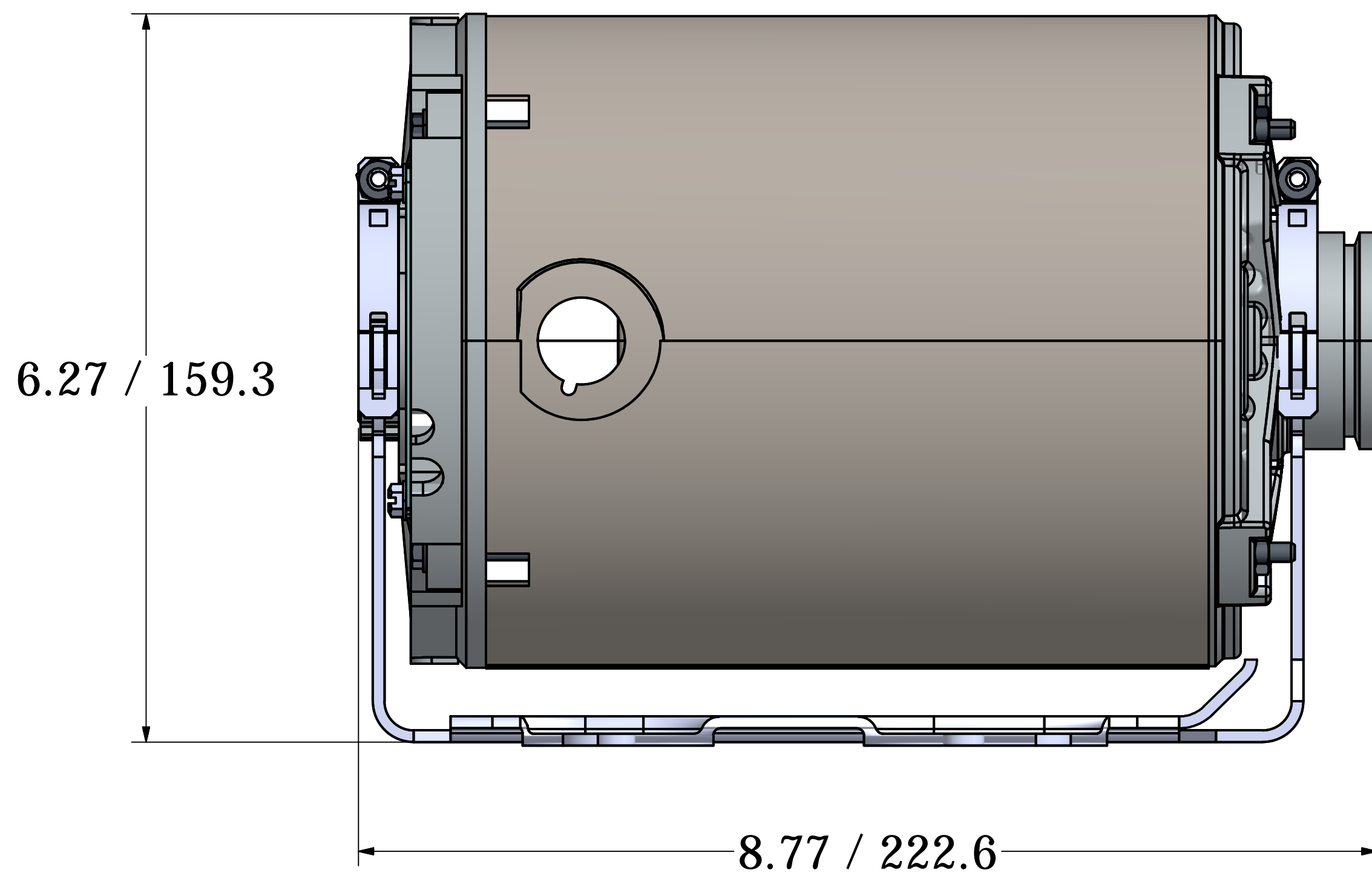
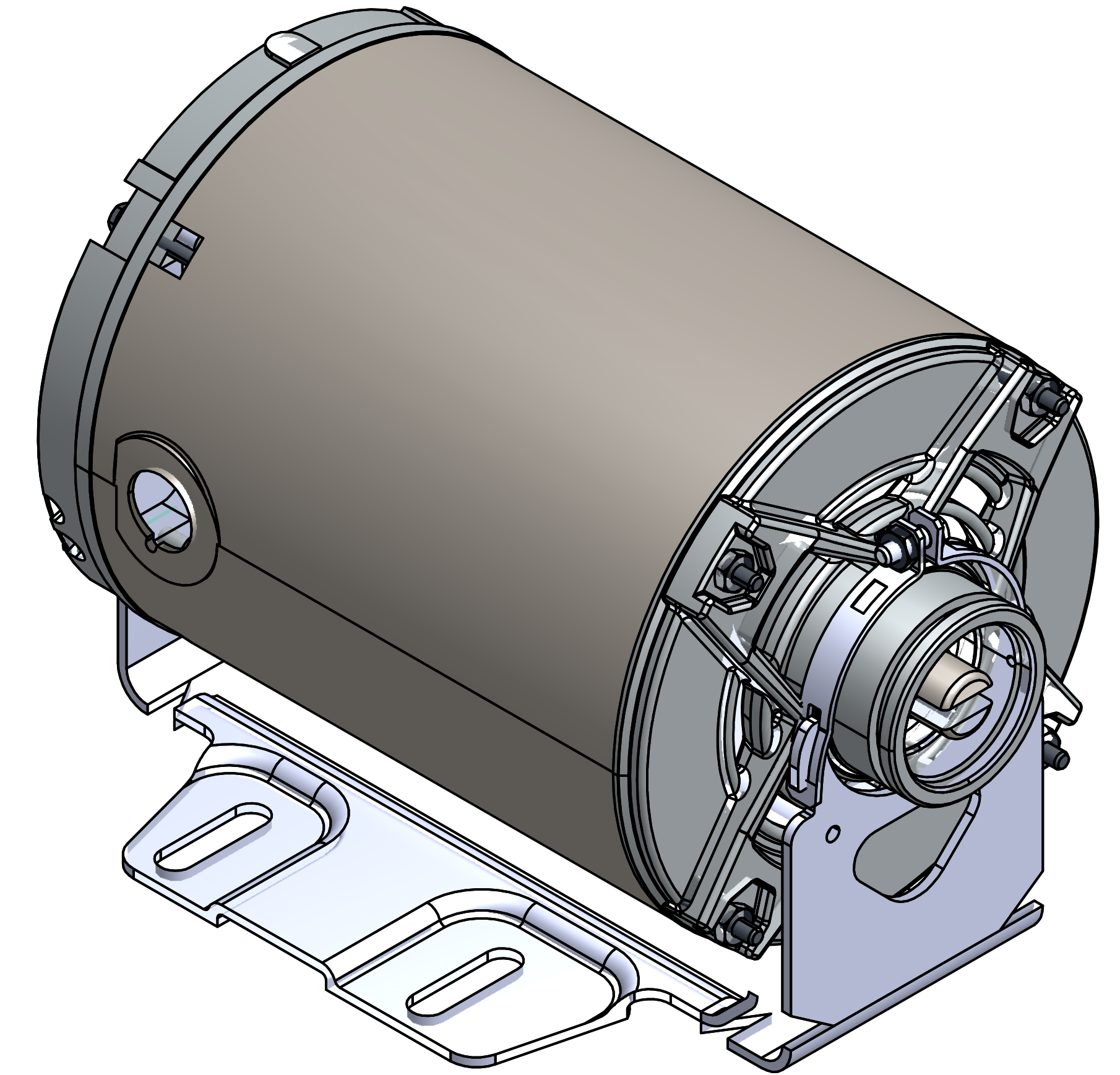
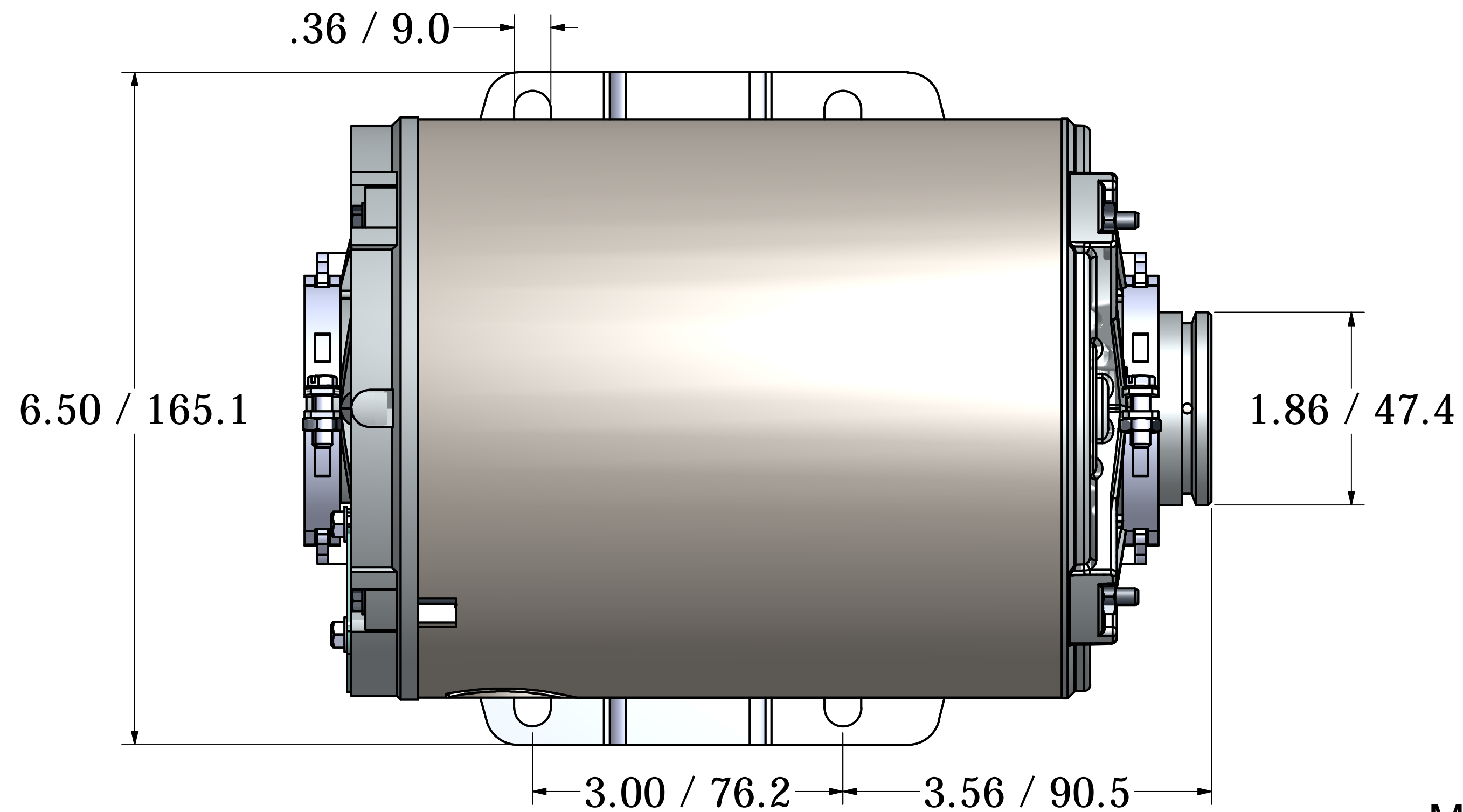


871 motor



Motor Type: 48 Y, Split Phase, ODP
Insulation Class: B
Rated HP: 1/2 (375 Watts)
Input Voltage : 100-120/200-240VAC 1PH
Input Frequency: 50/60 Hz
Motor Speed: (Unloaded): 1450/1725 RPM
Service Factor: 1.0
Overload Protection: Auto Reset
Base: Resilient
Amp Rating :7.1-7.2/3.4-3.6

