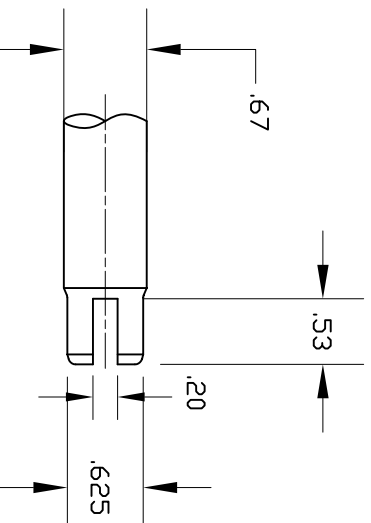
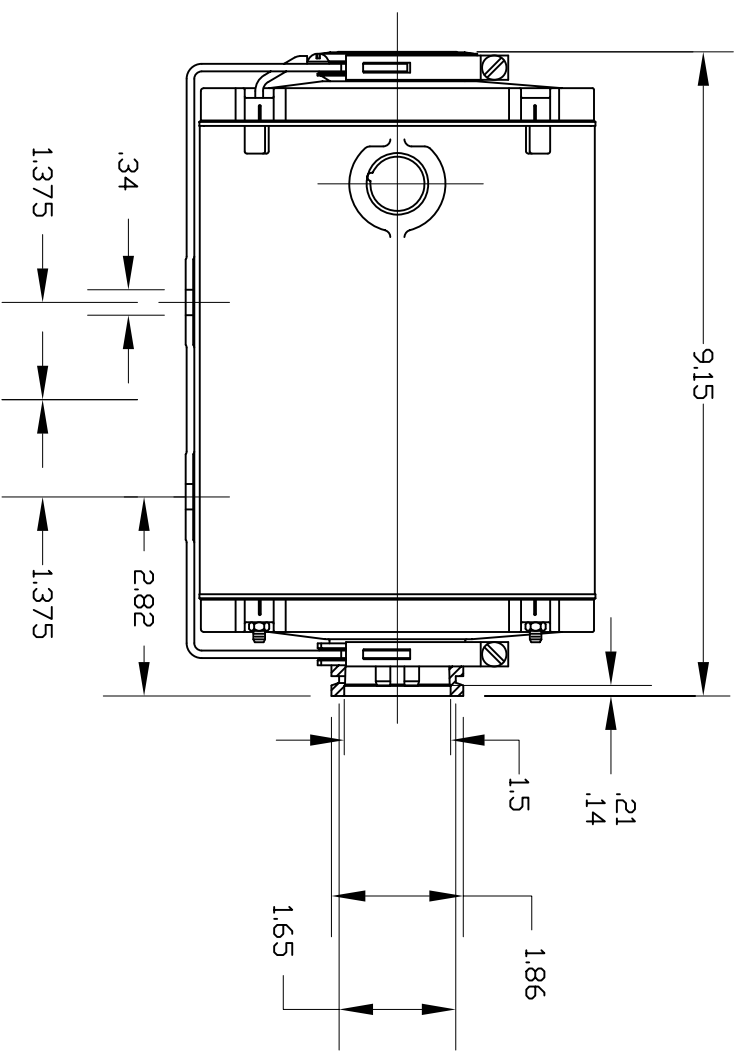
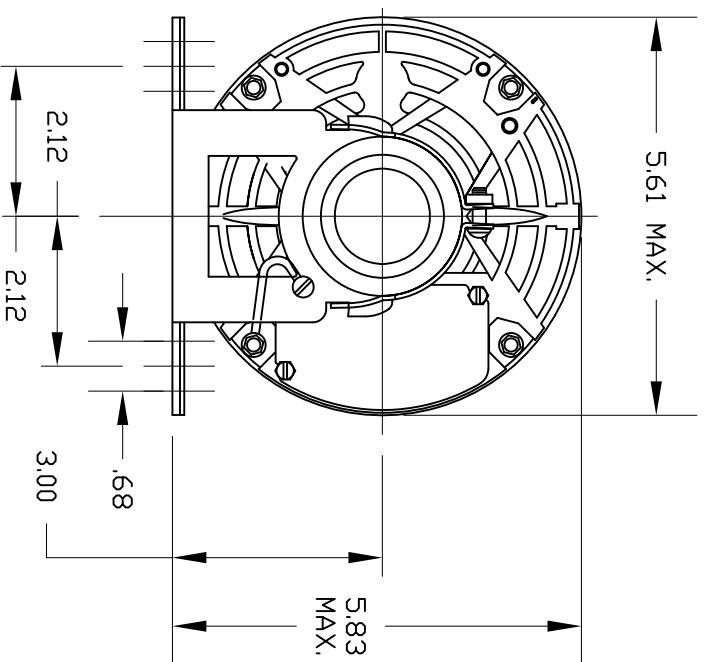


# 872 motor



<u>SPEED:</u>	1725 RPM
<u>HORSEPOWER:</u>	3/4 HP
<u>SERVICE FACTOR:</u>	1.0
<u>TYPE:</u>	SPLIT PHASE
<u>CYCLE:</u>	60 HZ.
<u>VOLTS:</u>	115/230 - 1 PH
<u>AMPS:</u>	10.4/5.2
<u>FRAME:</u>	48Y
<u>ENCLOSURE:</u>	DRIPPROOF
<u>OVERLOAD PROT.:</u>	AUTO-PROTECTED
<u>BASE</u>	RESILENT
<u>INSULATION</u>	CLASS B

869 Seven Oaks Blvd.  
 Suite 120  
 Smyrna, TN 37167  
 615-355-8000  
 mail@proconpump.com

Disclaimer:  
 Dimensions are subject to change without notice and will vary slightly depending  
 on the motor vendor selected for your order.

**PROCON**  
 Products