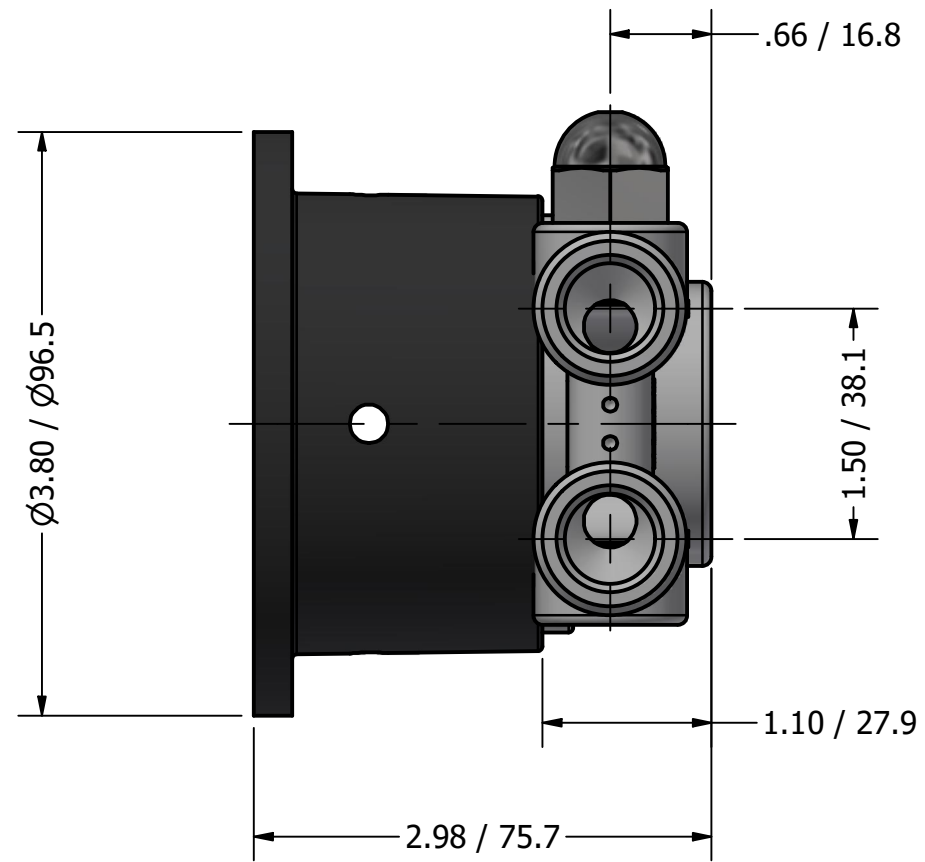
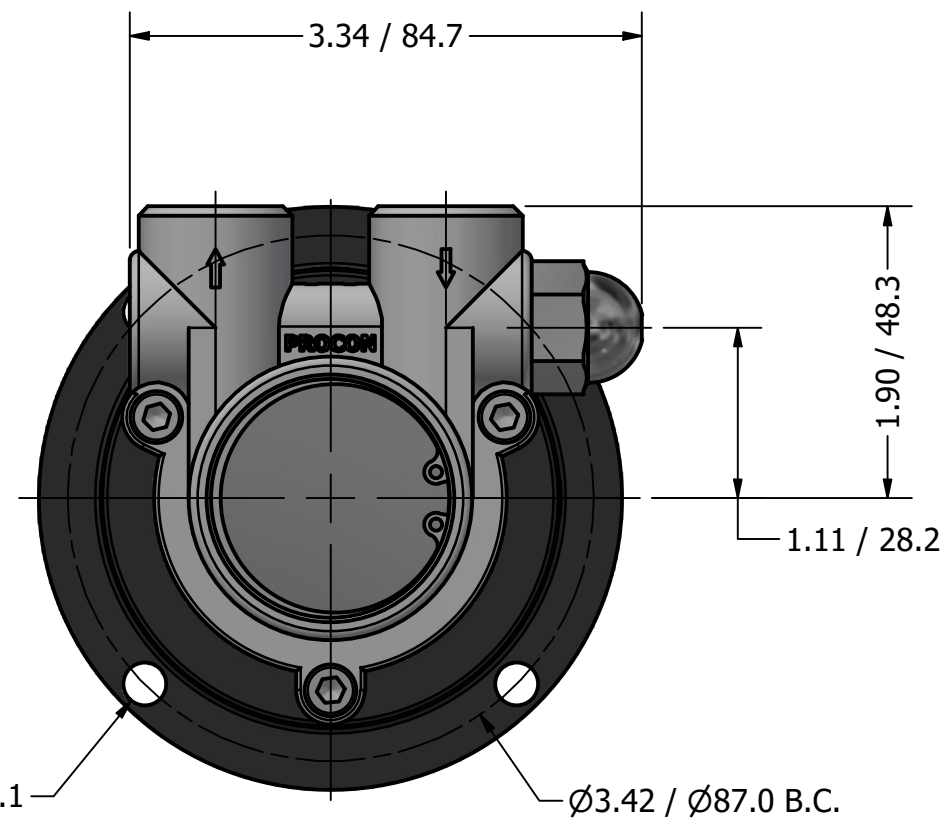
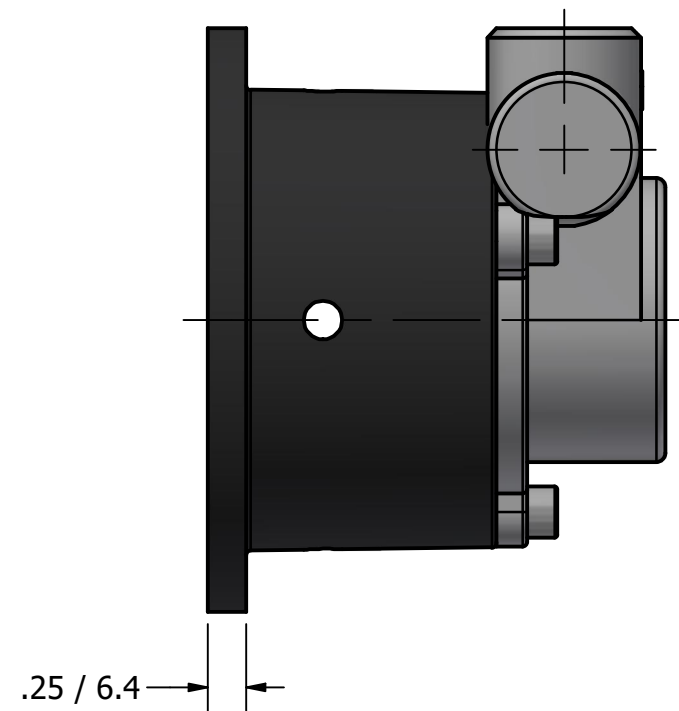
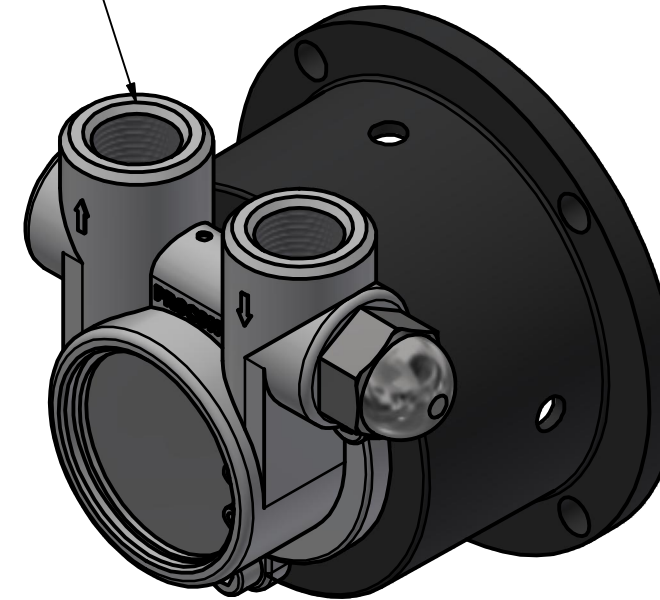


**SERIES 8  
MAG DRIVE PUMP  
G3/8 (BSPP) PORTS  
WITH RELIEF VALVE**



G3/8 (BSPP)  
INLET/OUTLET PORTS



$\text{Ø}.28 / \text{Ø}7.1$   
4 EQUALLY  
SPACED HOLES

$\text{Ø}3.42 / \text{Ø}87.0$  B.C.