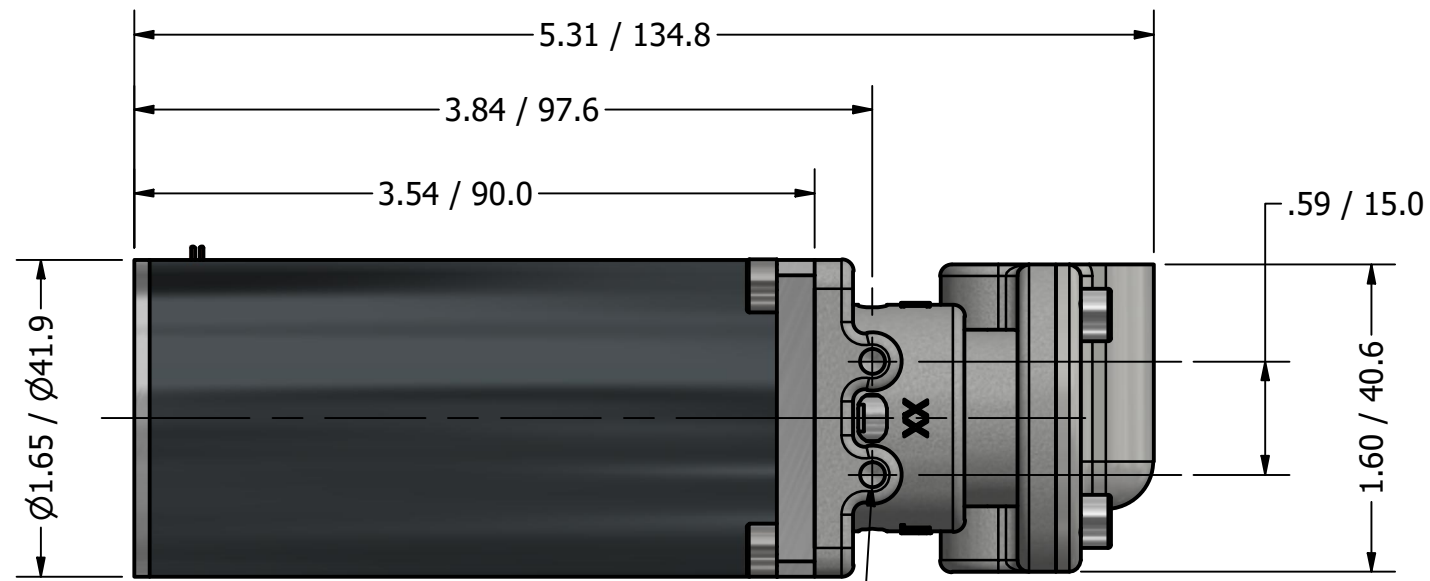
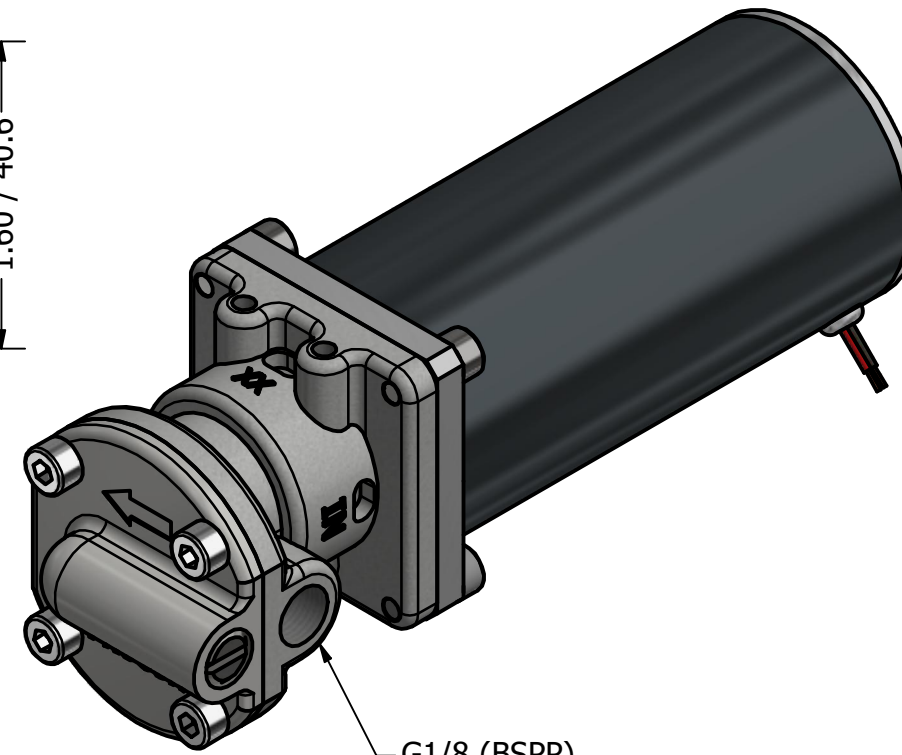


**MICRO GEAR PUMP
60 WATT MOTOR
G1/8 (BSPP) PORTS
WITH RELIEF VALVE**



M4 X 0.7 X .236± .01 / 5.99± 0.3 DEEP
2 PLCS



G1/8 (BSPP)
INLET/OUTLET PORTS

