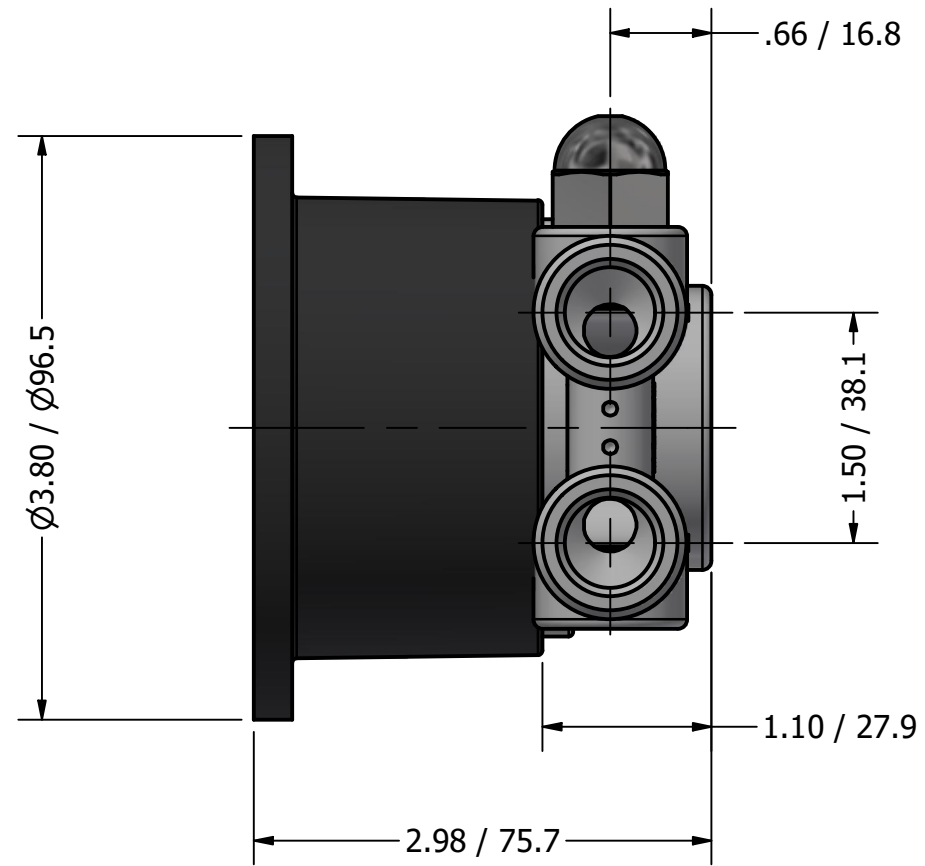
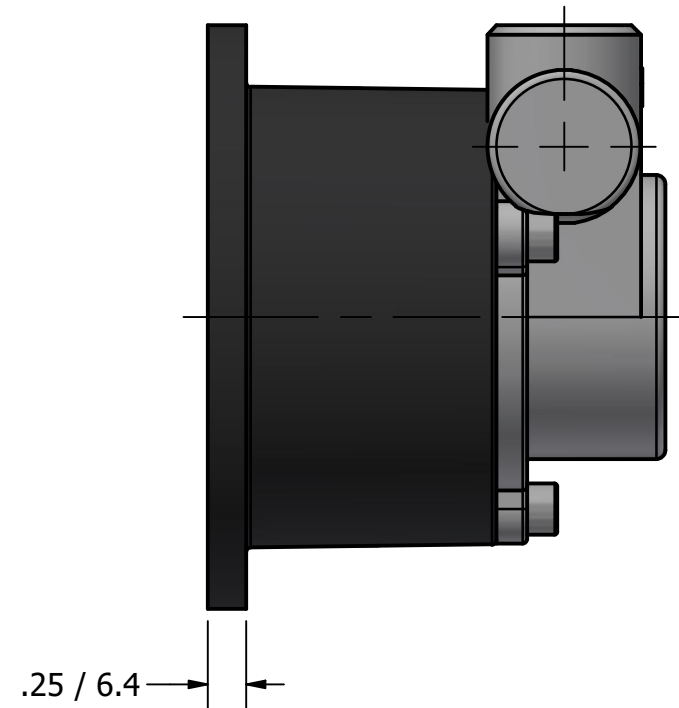
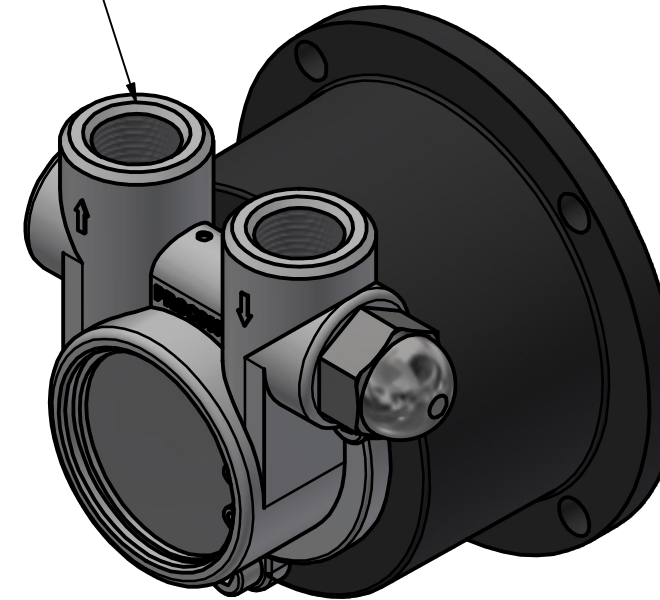


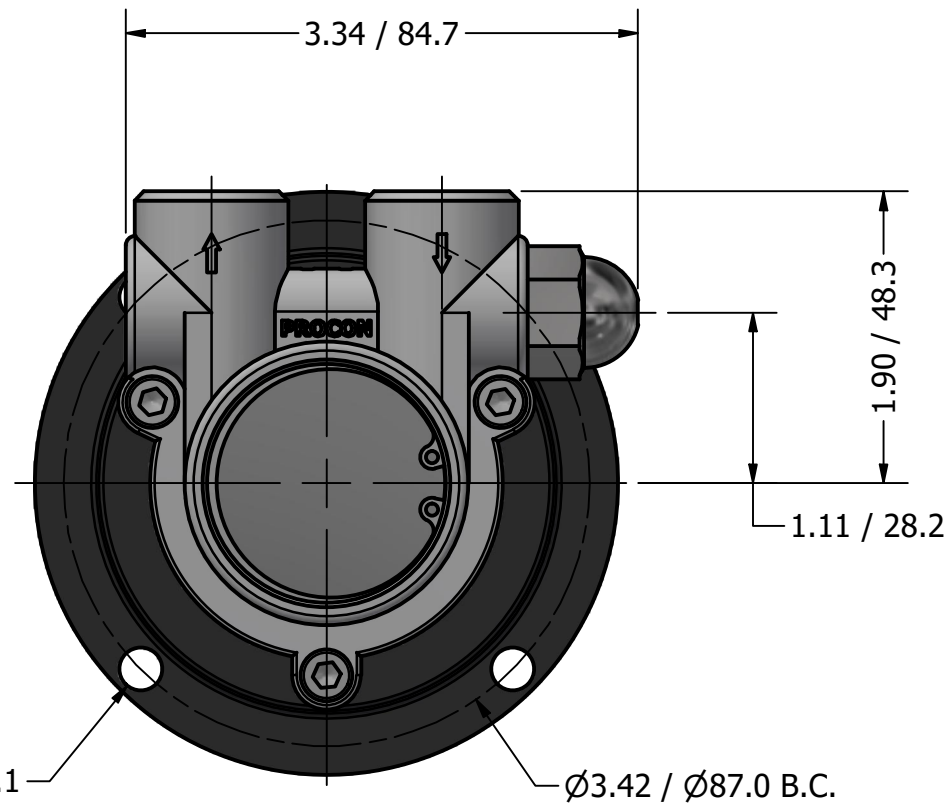
**SERIES 8
MAG DRIVE PUMP
G3/8 (BSPP) PORTS
WITH RELIEF VALVE**



G3/8 (BSPP)
INLET/OUTLET PORTS



$\varnothing .28 / \varnothing 7.1$
4 EQUALLY
SPACED HOLES



$\varnothing 3.42 / \varnothing 87.0$ B.C.