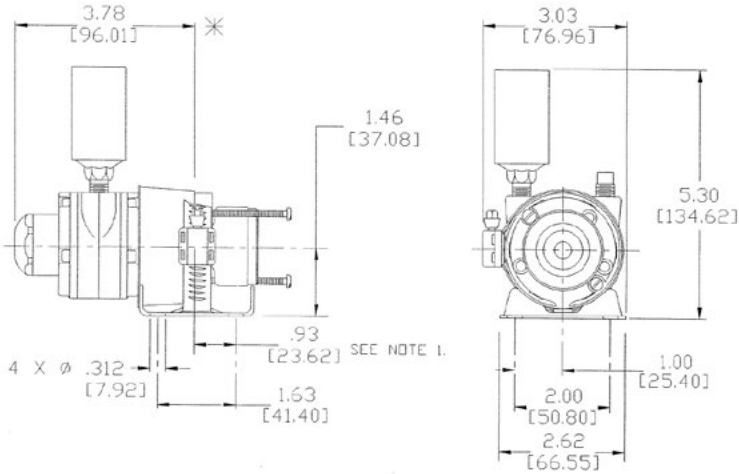
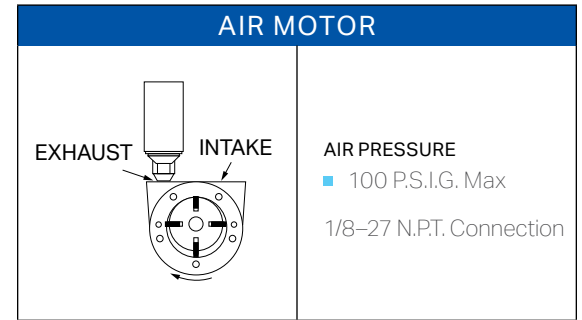


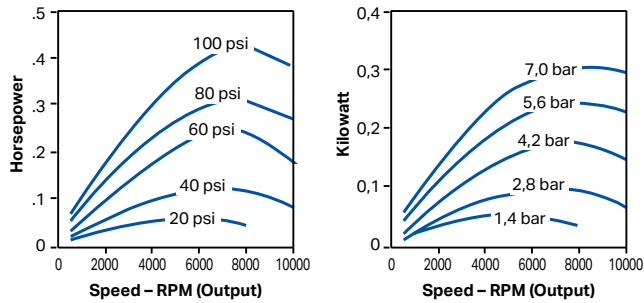
MODEL DV-955.A DRIVE



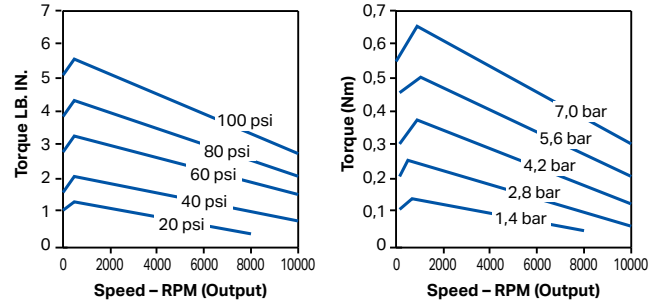
PNEUMATIC CONNECTIONS



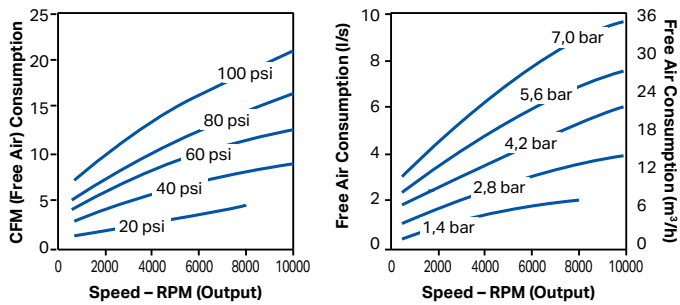
OUTPUT POWER VS. SPEED



TORQUE VS. SPEED



AIR CONSUMPTION VS. SPEED



MICROPUMP